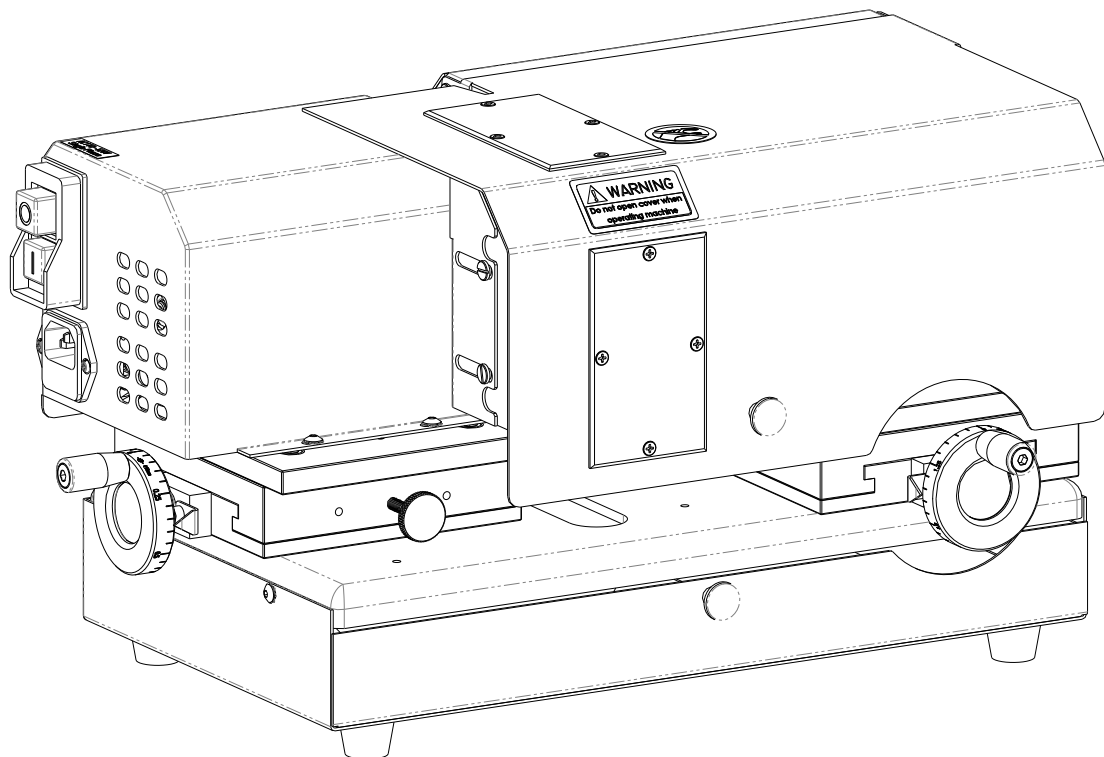


# GS-33 Operation manual



## RECYCLING



Do not dispose of electrical appliances as unsorted municipal waste, use separate collection facilities.

Contact your local government for information regarding the collection systems available.

If electrical appliances are disposed of in landfills or dumps, hazardous substances can leak into the groundwater and get into the food chain, damaging your health and well-being.

When replacing old appliances with new ones, the retailer is legally obligated to take back your old appliance for disposal at least for free of charge.

Ground, cord-connected tools intended for use on a supply circuit having a nominal rating less than 150 volts:

### **Warning:**

When using electric tools basic safety precautions should always be followed to reduce the risk of fire, electric shock and personal injury including the following.

Read all these instructions before attempting to operate this product and save these instructions.

1. Keep work area clear
  - Cluttered areas and benches invite injuries.
2. Consider work area environment
  - Do not expose tools to rain.
  - Do not use tools in damp or wet locations.
  - Keep work area well lit.
  - Do not use tools in the presence of flammable liquids or gases.
3. Guard against electric shock
  - Avoid body contact with earthed or grounded surfaces (e.g. pipes; radiators, ranges, refrigerators)
4. Keep other persons away
  - Do not let persons, especially children, not involved in the work touch the tool or the extension cord and keep them away from the work area.
5. Store idle tools
  - When not in use, tools should be stored in a dry locked-up place, out of reach of children.
6. Do not force the tool
  - It will do the job better and safer at the rate for which it was intended.
7. Use the right tool
  - Do not force small tools to do the job of a heavy duty tool.
  - Do not use tools for purposes not intended; for example do not use circular saws to cut tree limbs or logs.
8. Dress properly
  - Do not wear loose clothing or jewellery, they can be caught in moving parts.
  - Non-skid footwear is recommended when working outdoors.
  - Wear protective hair covering to contain long hair.

9. Use protective equipment
  - Use safety glasses.
  - Use face or dust mask if working operations create dust.
10. Connect dust extraction equipment
  - If the tool is provided for the connection of dust extraction and collecting equipment, ensure these are connected and properly used.
11. Do not abuse the cord
  - Never yank the cord to disconnect it from the socket. Keep the cord away from heat, oil sharp edges.
12. Secure work
  - Where possible use clamps or a vice to hold the work. It is safer than using your hand.
13. Do not overreach
  - Keep proper footing and balance at all times.
14. Maintain Tools with care.
  - Keep cutting tools sharp and clean for better and safer performance.
  - Follow instruction for lubricating and changing accessories.
  - Inspect tools cords periodically and if damaged have them repaired by and authorized service facility.
  - Inspect extension cords periodically and replace if damaged.
  - Keep handles dry, clean and free from oil and grease.
15. Disconnect tools
  - When not in use, before servicing and when changing accessories such as blades, bits and cutters, disconnect tools from the power supply.
16. Remove adjusting keys and wrenches
  - Form the habit of checking to see that keys and adjusting wrenches are removed from the tool before turning it on.
17. Avoid unintentional starting
  - Ensure switch is in "off" position when plugging in.
18. Use outdoor extension leads
  - When the tool is used outdoors, use only extension cords intended for outdoor use and so marked.
19. Stay alert
  - Watch what you are doing, use common sense and do not operate the tool when you are tired.

20. Check damaged parts

- Before further use of tool, it should be carefully checked to determine that it will operate properly and perform its intended function.
- Check for alignment of moving parts, binding of moving parts, breakage of parts, mounting and any other conditions that may affect its operation.
- A guard or other part that is damaged should be properly repaired or replaced by an authorized service centre unless otherwise indicated in this instruction manual.
- Have defective switches replaced by an authorized service centre.
- Do not use the tools if the switch does not turn it on and off.

21. Warning

- The use of any accessory or attachment other than one recommended in this instruction manual may present a risk of personal injury.

22. Have your tool repaired by a qualified person.

- This electric tool complies with the relevant safety rules. Repairs should only be carried out by qualified persons using original spare parts, otherwise this may result in considerable danger to the user.

23. Please use the air spray gun to move away the metal just which remains inside the grinding wheel protection over after finishing the grinding job.

24. Please take a duster to clean the adjustment shelf and two grinding shelf after finishing grinding job.

A- weighted sound pressure level:  $L_{p,eq} = 66.24 \text{ dB(A)}$

$L_{p,eq} = 66.8 \text{ dB(A)}$

## **Warning:**

1. KEEP GUARDS IN PLACE and in working order.
2. REMOVE ADJUSTING KEYS AND WRENCHES. Form habit of checking to see that keys and adjusting wrenches are removed from tool before turning it on.
3. KEEP WORK AREA CLEAN. Cluttered areas and benches invite accidents.
4. DON'T USE IN DANGEROUS ENVIRONMENT. Don't use power tools in damp or wet locations, or expose them to rain. Keep work area well lighted.
5. KEEP CHILDREN AWAY. All visitors should be kept safe distance from work area.
6. MAKE WORKSHOP KID PROOF with padlocks, master switches, or by removing starter keys.
7. DON'T FORCE TOOL. It will do the job better and safer at the rate for which it was designed.
8. USE RIGHT TOOL. Don't force tool or attachment to do a job for which it was not designed.
9. USE PROPER EXTENSION CORD. Make sure your extension cord is in good.
10. WEAR PROPER APPAREL. Do not wear loose clothing, gloves, neckties, rings, bracelets, or other jewelry which may get caught in moving parts, Nonslip footwear is recommended. Wear protective hair covering to contain long hair.  
Exception: The reference to gloves may be omitted from the instructions for a grinder.
11. ALWAYS USE SAFETY GLASSES. Also use face or dust mask if cutting operation is dusty. Everyday eyeglasses only have impact resistant lenses, they are NOT safety glasses.
12. SECURE WORK. Use clamps or a vise to hold work when practical. It's safer than using your hand and it frees both hands to operate tool.
13. DON'T OVERREACH. Keep proper footing and balance at all times.
14. MAINTAIN TOOLS WITH CARE. Keep tools sharp and clean for best and safest performance. Follow Instructions for lubricating and changing accessories.
15. DISCONNECT TOOLS before servicing; when changing accessories, such as blades, bits, cutters, and the like.
16. REDUCE THE RISK OF UNINTENTIONAL STARTING. Make sure switch is in off position before plugging in.
17. USE RECOMMENDED ACCESSORIES. Consult the owner's manual for recommended accessories. The use of improper accessories may cause risk of injury to persons.

18. NEVER STAND ON TOOL. Serious injury could occur if the tool is tipped or if the cutting tool is unintentionally contacted.
19. CHECK DAMAGED PARTS. Before further use of the tool, a guard or other part that is damaged should be carefully checked to determine that it will operate properly and perform its intended function - check for alignment of moving parts, binding of moving parts, breakage of parts, mounting, and any other conditions that may affect its operation. A guard or other part that is damaged should be properly repaired or replaced.
20. DIRECTION OF FEED. Feed work into a blade or cutter against the direction of rotation of the blade or cutter only.
21. NEVER LEAVE TOOL RUNNING UNATTENDED. TURN POWER OFF. Don't leave tool until it comes to a complete stop.

**IN DOOR USED!!!**

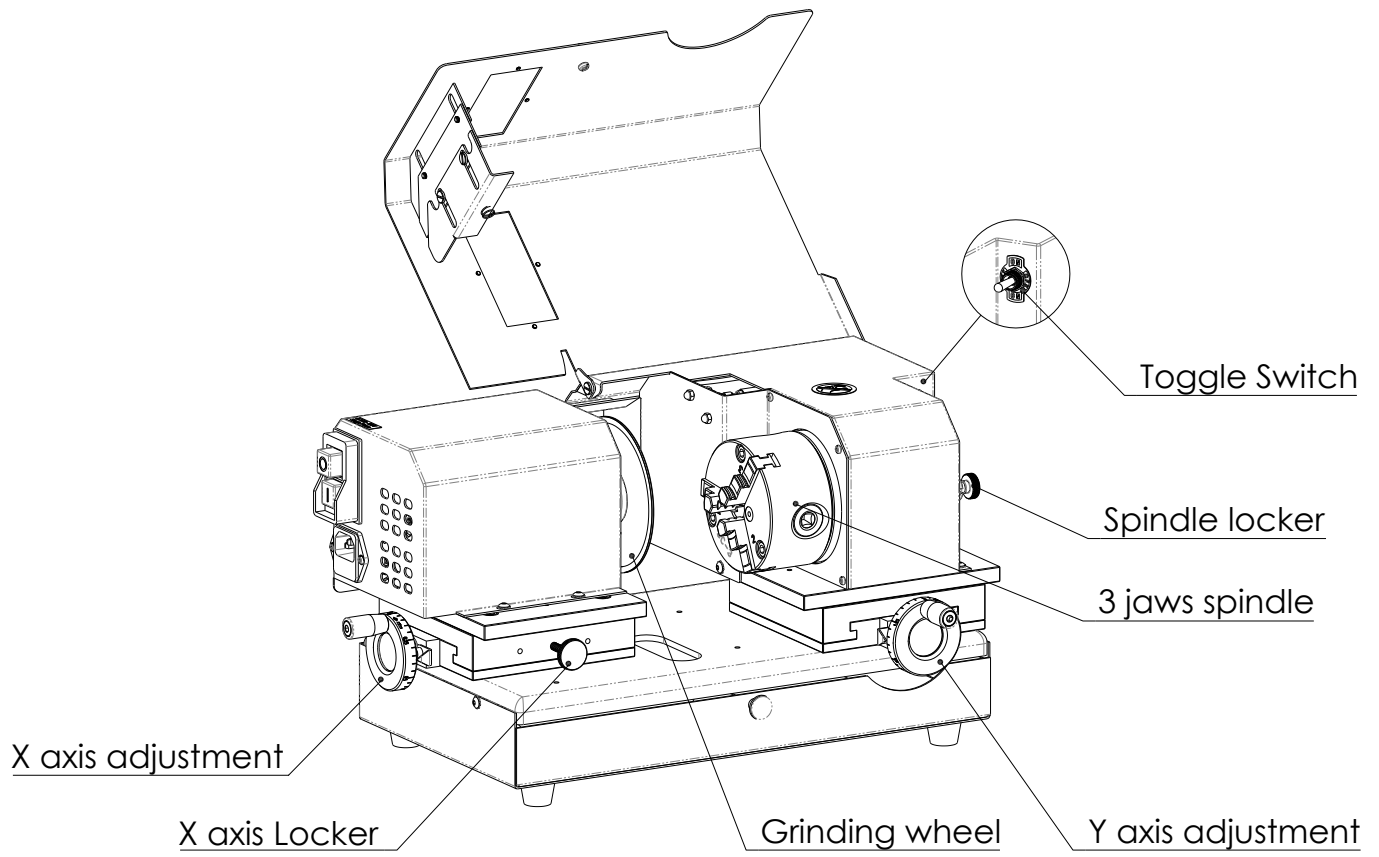
**WARNING: DO NOT EXPOSE TO RAIN OR USE IN DAMP LOCATIONS.**

# Index:

I. Machine Devices Introduction.....	P.7
II. Functions .....	P.8
X axis adjustment.....	P.8
Y axis adjustment.....	P.9
Spindle locker .....	P.10
Toggle Switch .....	P.12
III. Operation .....	P.14
IV. Change of Cutting Wheel.....	P.17



# I. Machine Devices Introduction

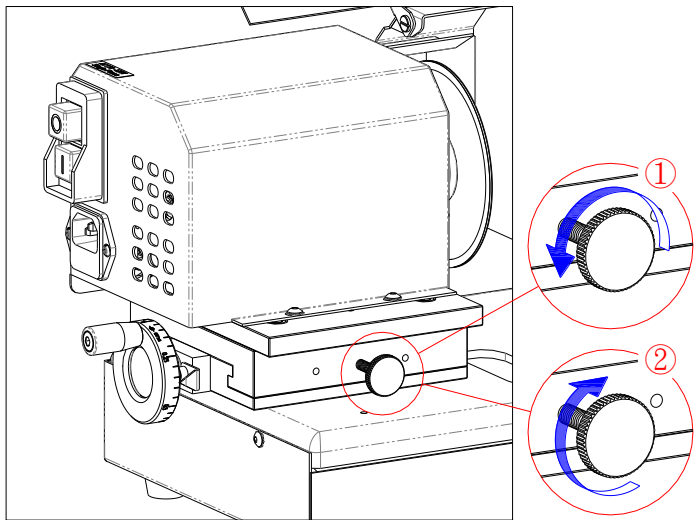


## II. Functions

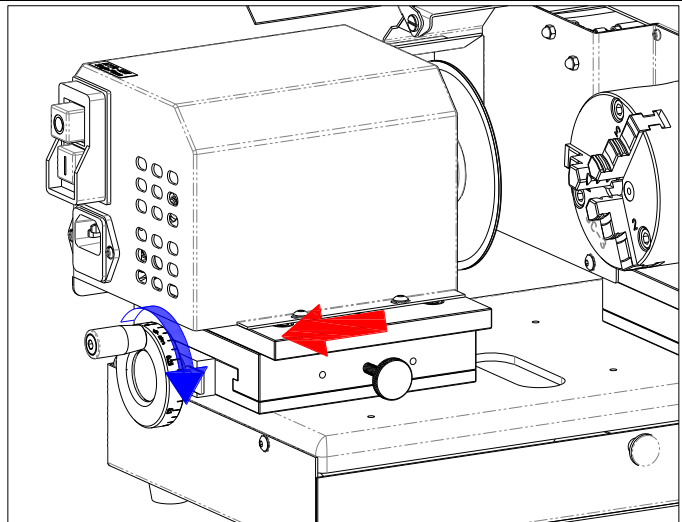
### X axis adjustment

For Cutting Wheel or Grinding Wheel moving adjustment.

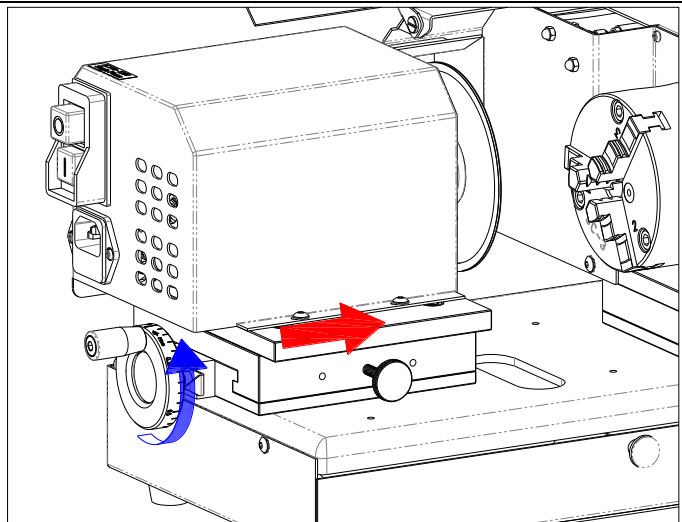
- ① Counterclockwise the X axis Locker for X axis releases.
- ② Clockwise the X axis Locker for locking X axis.



Clockwise the X axis wheel moving X axis to the left.



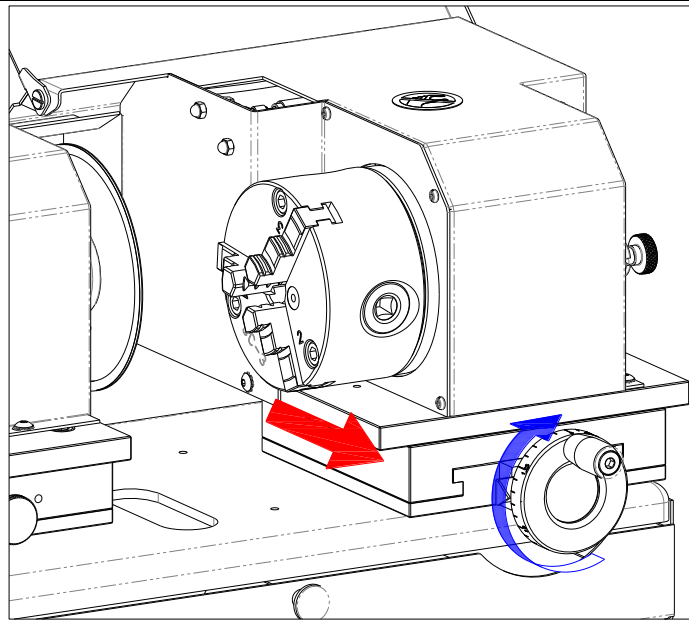
Counterclockwise the X axis wheel moving X axis to the right.



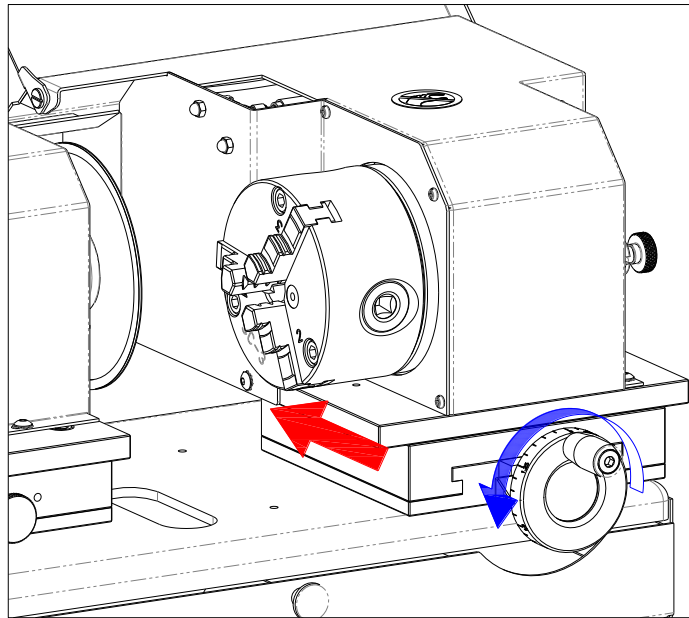
## Y axis adjustment

For workpiece moving adjustment.

Clockwise the Y axis wheel that will move backward the Y axis.



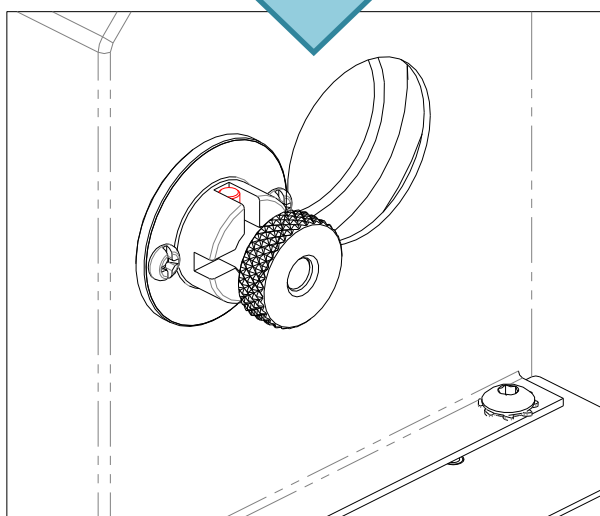
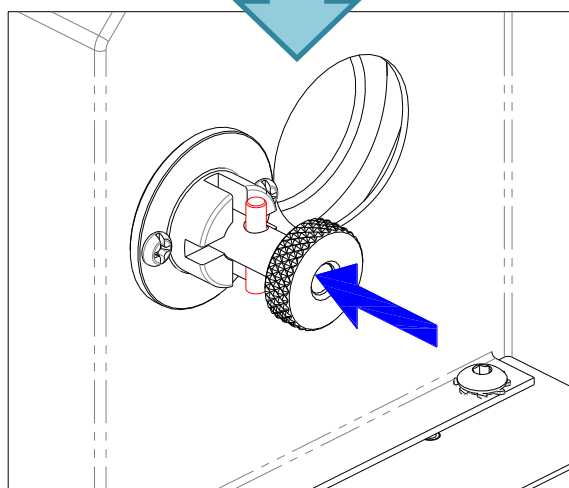
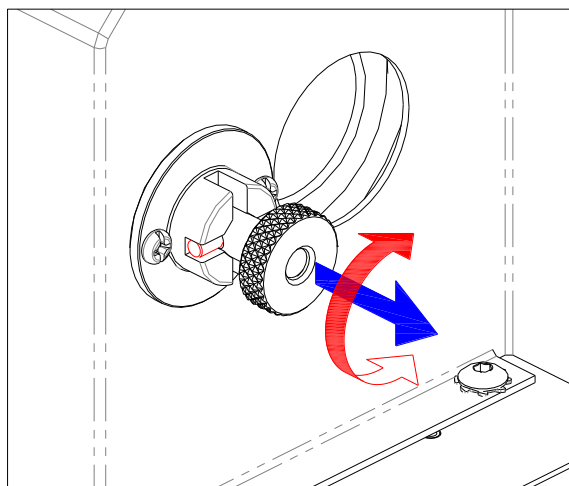
Counterclockwise the Y axis wheel that will move forward the Y axis.



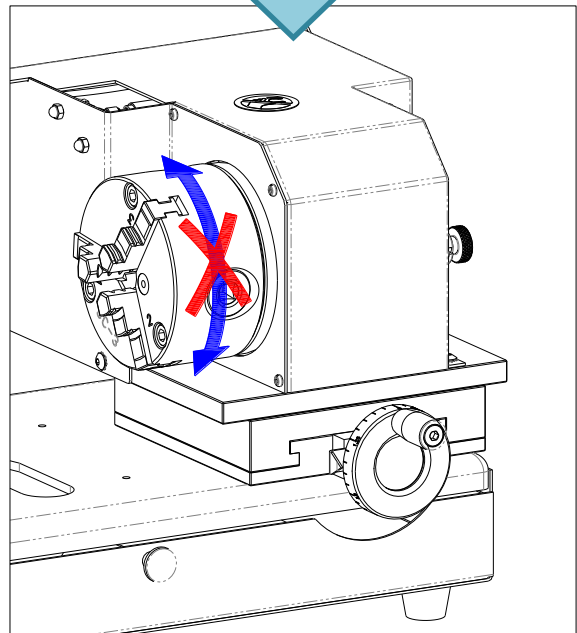
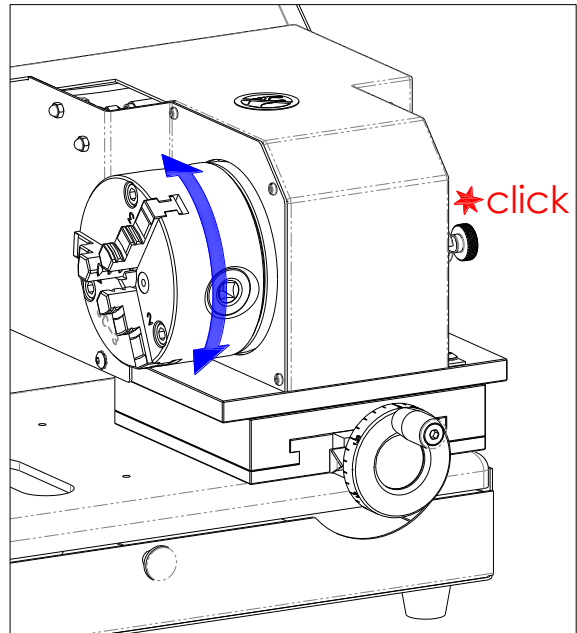
## Spindle locker

For locking 3 jaws spindle.

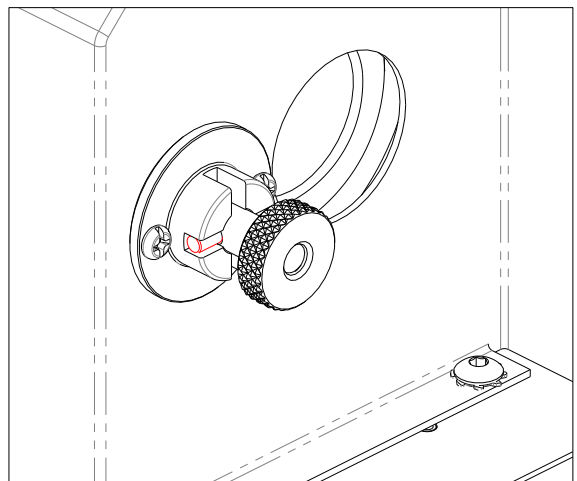
Pull out the Spindle locker and turn it to the vertical, then put it into locker groove.



Turn the 3 Jaws spindle and lock on.



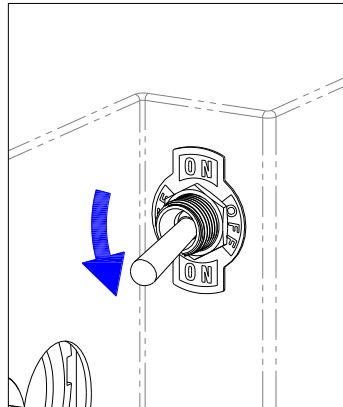
Finishing your job, please keep Spindle locker to horizontal location to avoid motor burned when Toggle switch to the top and others turn on power button.



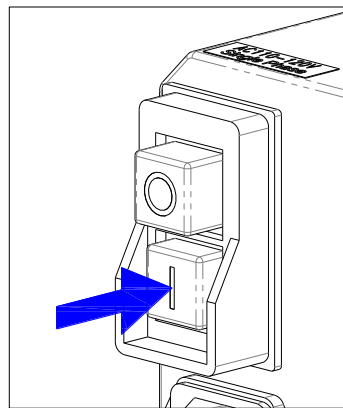
## Toggle Switch

The two sides motors are optional to choose working either one or both motors at a time by using the toggle switch.

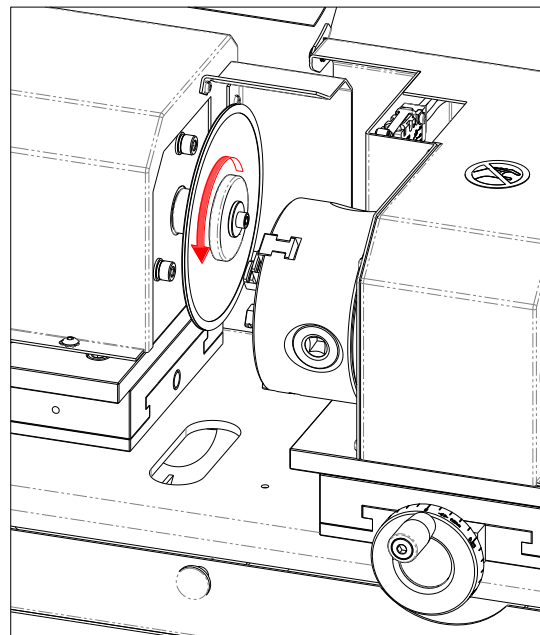
Toggle Switch to the bottom



Turn the power switch on.

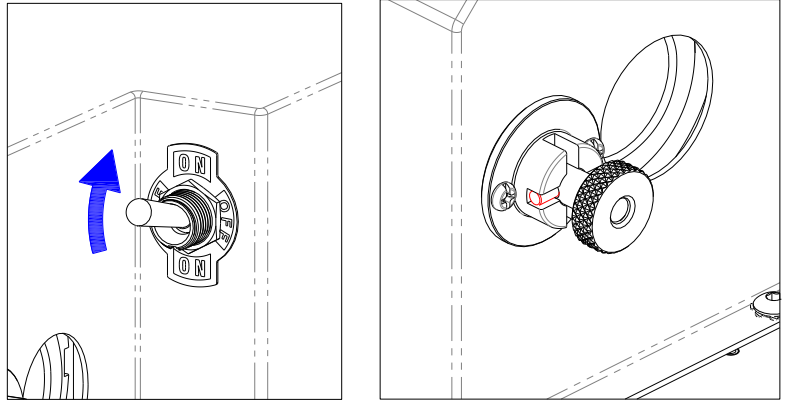


Works only the left motor.

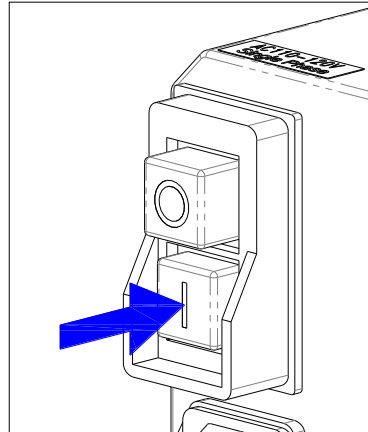


Toggle Switch to the top

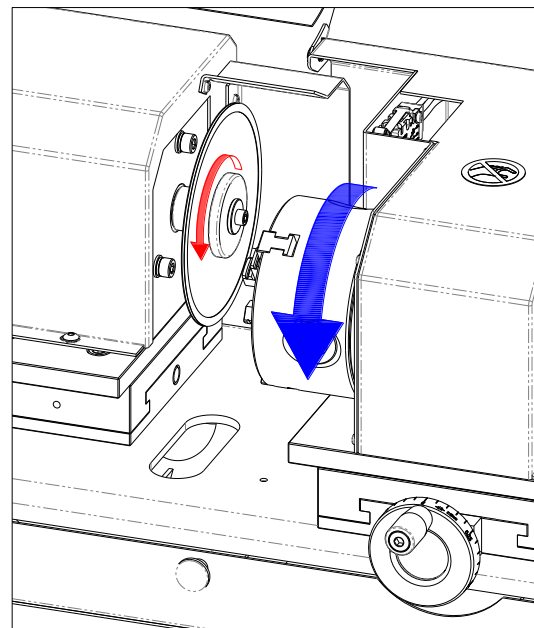
✘ Please make sure the Spindle locker in the horizontal location.



Turn the power switch on.



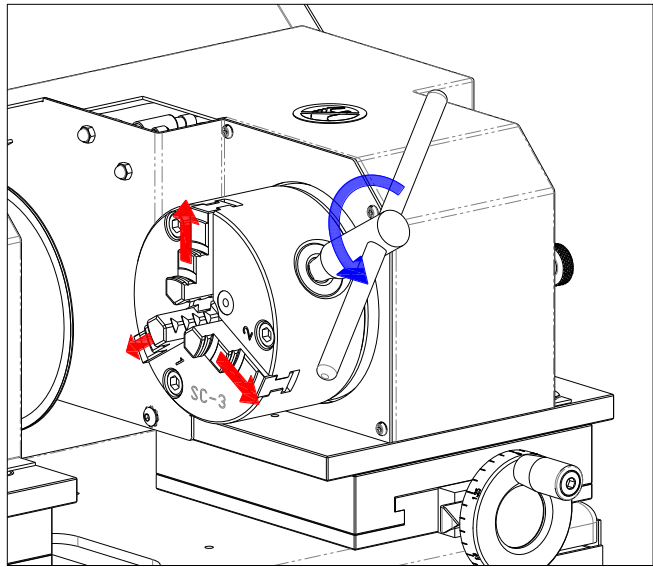
The both sides motors work.



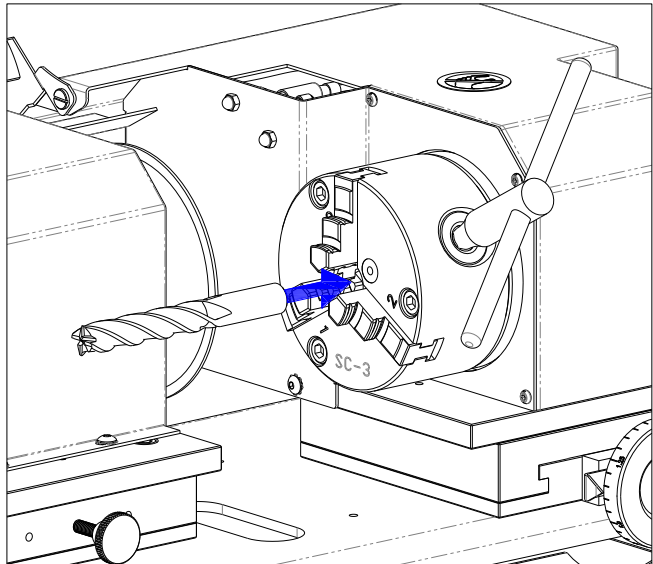
### III. Operation

Take the workpiece.

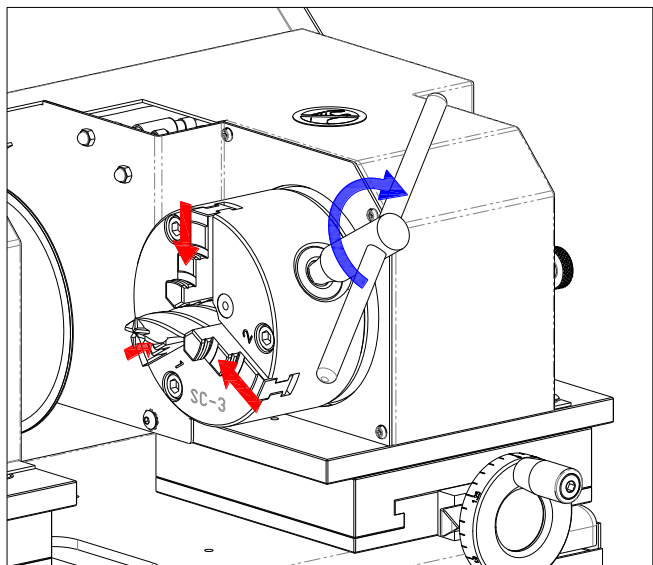
Open the spindle with the hand tool.



Insert the workpiece.

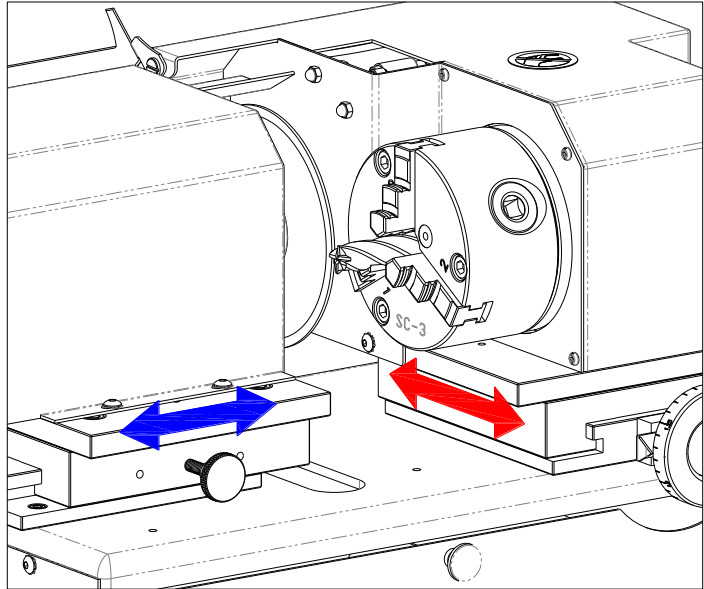


Tighten the spindle

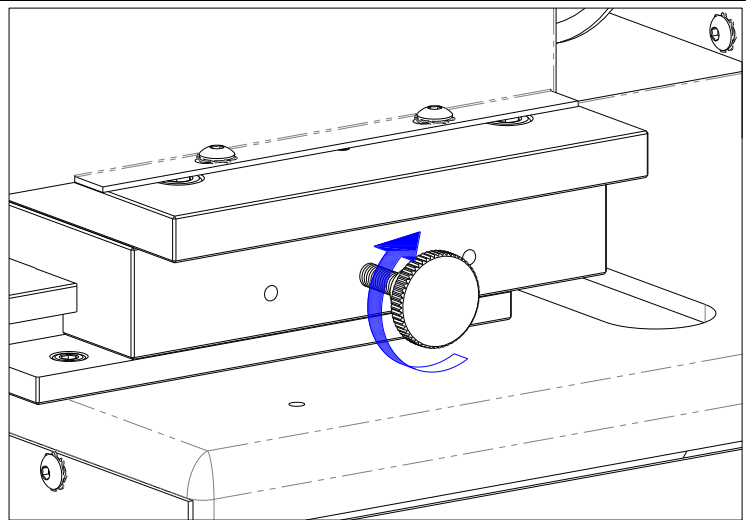




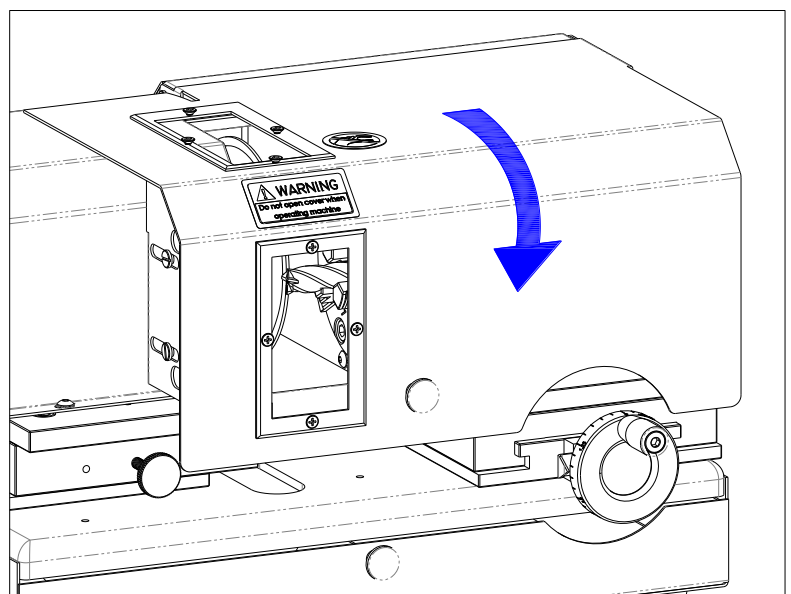
Adjust X and Y axis to the right location.



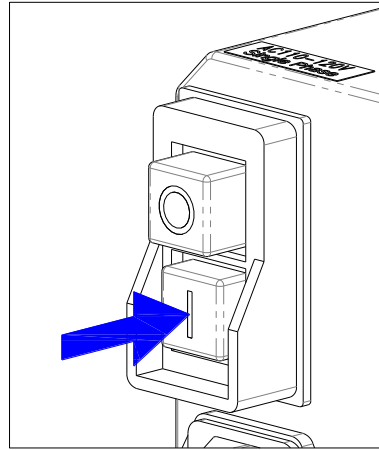
Tighten the X axis Locker.



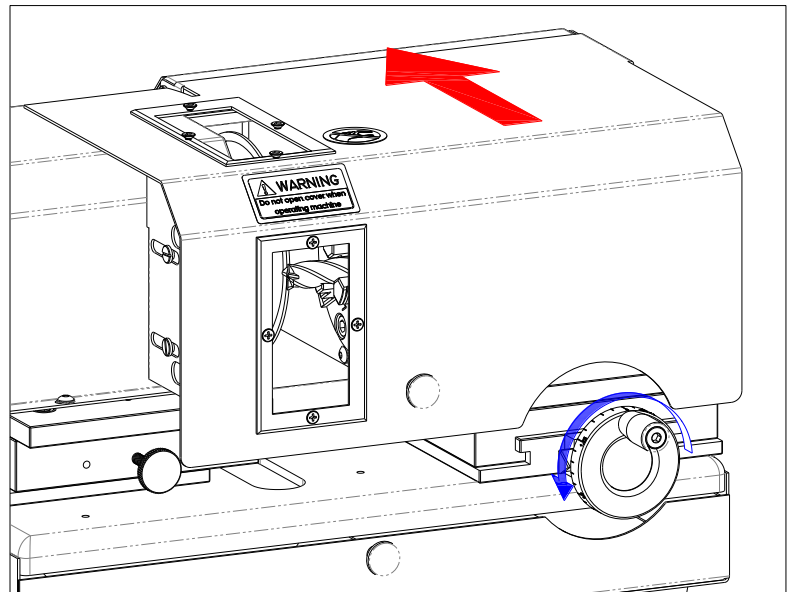
Close cover.



Turn the power switch on.



Counterclockwise Y axis wheel until cutting work is completed. Then clockwise Y axis wheel until you can take workpiece out.



## IV. Change of Cutting Wheel

